

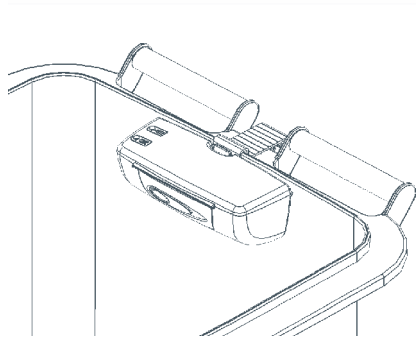
Binifresh™

Automatic Hygiene and Odour Control for Wheelie Bins

FITTING & USAGE INSTRUCTIONS

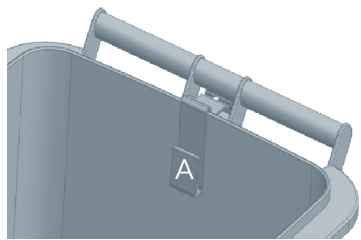
Index

- Package Contents
- Step 1: Fitting Bracket
- Step 2: Fitting Device
- Step 3: Binifresh Refill Placement
- Step 4: Fitting Batteries
- LED Definition
- Troubleshooting

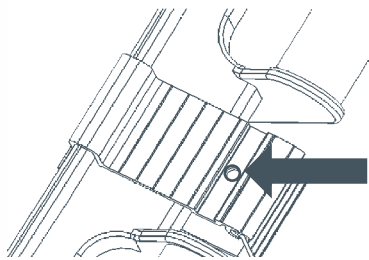


Sign up at www.binifresh.com to get e-mail reminders and special offers!

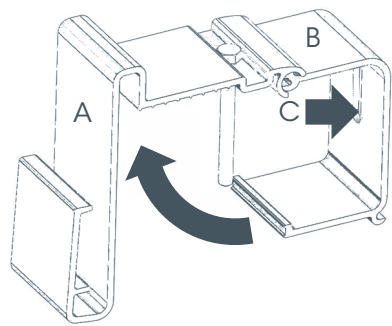
Step 1: Fitting Bracket



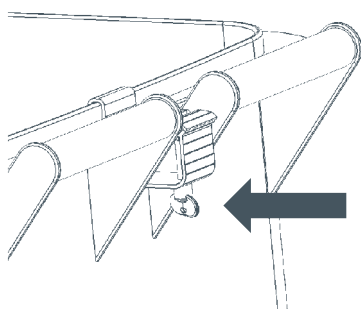
- Open the bracket into two separate pieces.
- Place bracket part A on back or side of bin.
- Close lid of bin.



- Put M5 Hex Bolt provided through hole in the top of the bracket.



- Connect bracket part A to bracket part B via hinge and close bracket so that it fits securely under lip of bin.
- M5 Hex Bolt will fit through slot C.



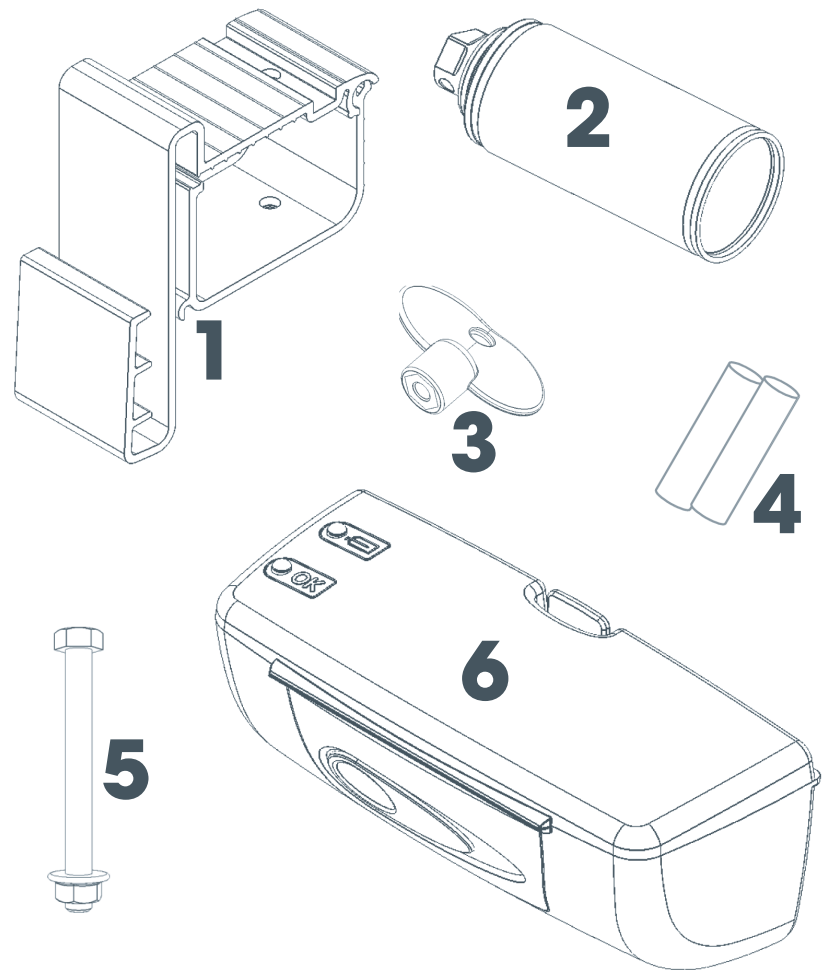
- Take BiniKey™ with nut and place on bottom of M5 Hex Bolt
- Tighten until bracket is firmly secured in place. There should be no movement of the bracket
- Remove the BiniKey™ by sliding downwards off bolt.
- Keep in a safe place.

Not all bins allow for central placement. If your bin does not allow, place off centre or on the side of the bin.

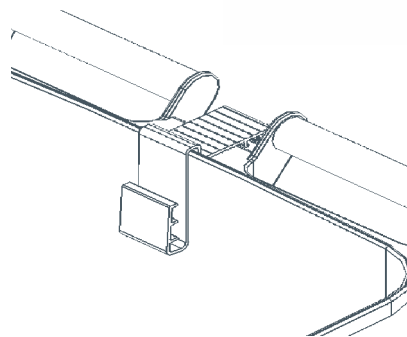
Package Contents

- 1 - Binifresh™ Bracket
- 2 - Binifresh™ Refill
- 3 - BiniKey™

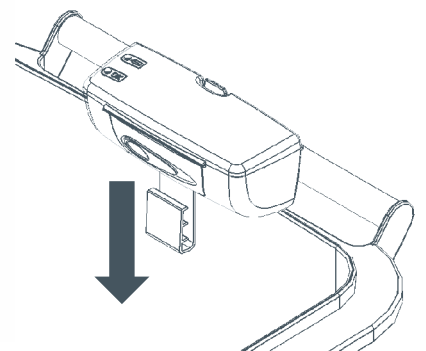
- 4 - Batteries
- 5 - M5 Hex Bolt
- 6 - Binifresh™ Device



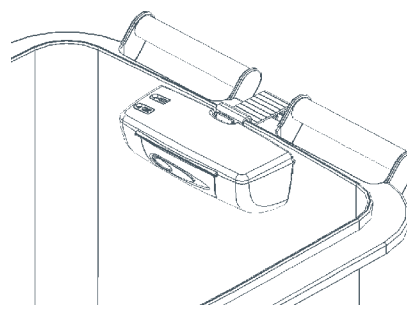
Step 2: Fitting Device



- Open bin lid.
- Should look like the above.

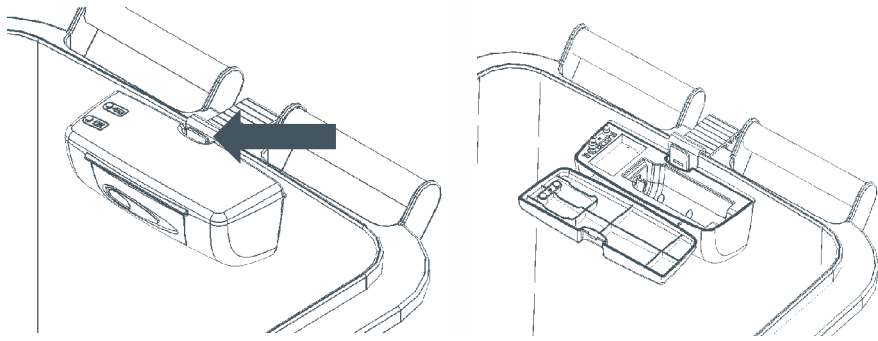


- Place device onto bracket on inside of the bin.

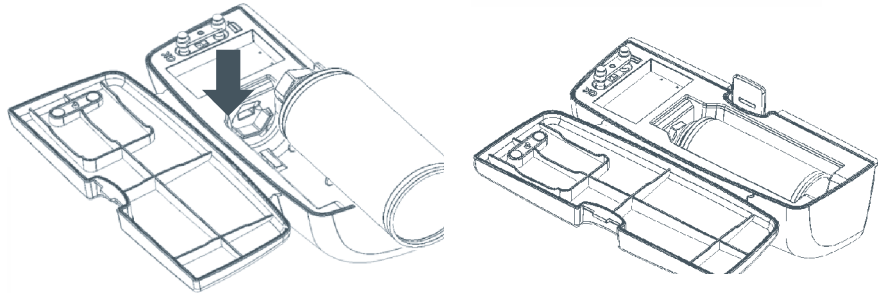


- Push firmly until a click is heard.
- **Check to make to sure that the Binifresh™ device is firmly secure. It should not be removable.**

Step 3: Binifresh Refill Placement



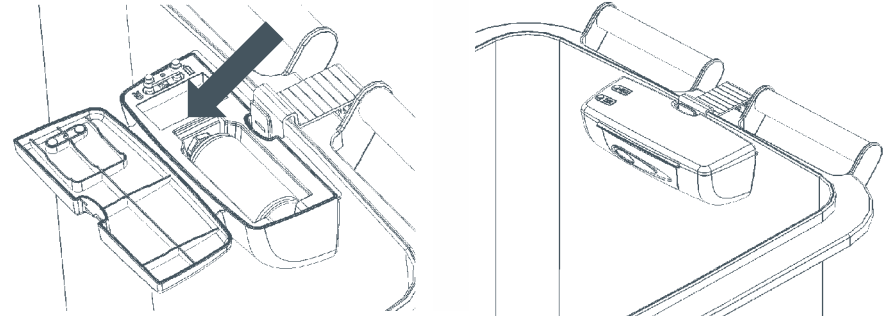
- Open lid of device by pushing flap on back of device towards the back of the bin.



- Line up hole on the nozzle with hole on device. **Nozzle must be facing outwards of the device (into the bin).**

- Place hexagon shaped nozzle in to red hexagon nozzle holder. **Nozzle must be facing outwards of the device (into the bin).**
- If batteries are already fitted close the lid tightly, a click should be heard. The device will spray within 30 seconds.

Step 4: Fitting Batteries



- Place batteries in battery compartment.
- Green light will start to flash.
- **The green light will only flash once the batteries and refill are in place.**

- The device is now active and will spray within 30 seconds.
- Close the lid of the device.
- Binifresh device will spray every 4 hours.
- **When closing lid of the device make sure lid is securely fixed in place by pushing down firmly.**

LED Description:

LED	DESCRIPTION
Flashing green light	Device OK The Green light will only flash once the batteries and refill are in place.
Flashing red light	Aerosol empty (10 day warning). Replace refill
No Lights	Batteries need replacing

Troubleshooting:

ISSUE	RESOLUTION
Bracket does not fit securely on back of bin	Move Binifresh™ bracket and device to side of bin.
No lights flashing	Make sure batteries secured. If problem persists, replace batteries.
Device does not spray	Make sure the refill has been inserted correctly. Nozzle facing out. If problem persists remove the refill, wait 30 seconds and replace.
Red LED flashes even after new refill fitted	Remove the refill, wait 30 seconds and replace.

For more information please visit www.binifresh.com

Warning:

- Intended for outdoor door use only.
- Use only as directed.
- Caution! Never look directly into the Binifresh™ device spray outlet.
- Use only with Binifresh™ Refills.
- Never power hose.

Copyright © 2009 Bini Products Ltd.
All rights reserved. Patent Pending.
Binifresh is a trademark of Bini Products Ltd.

